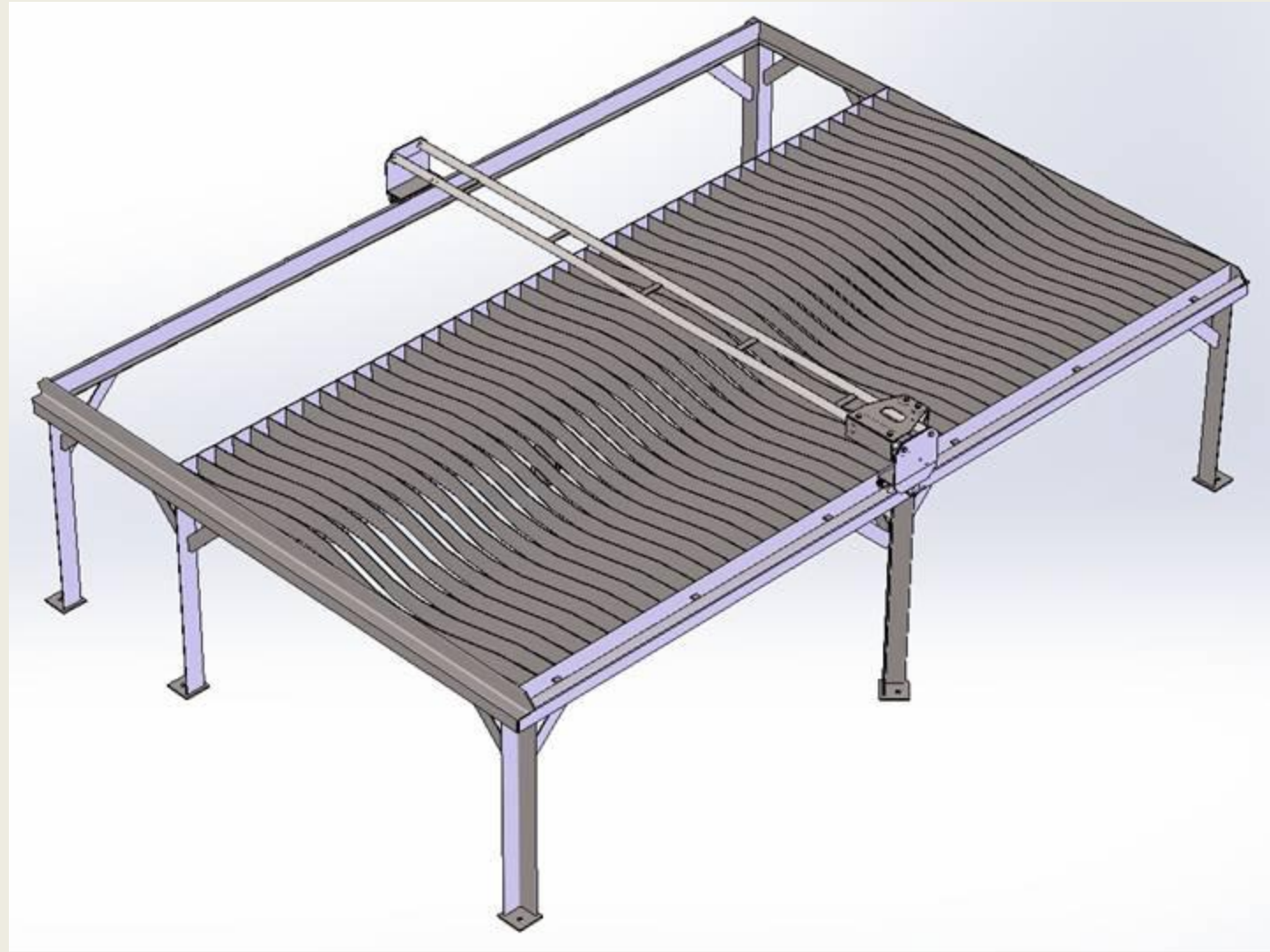
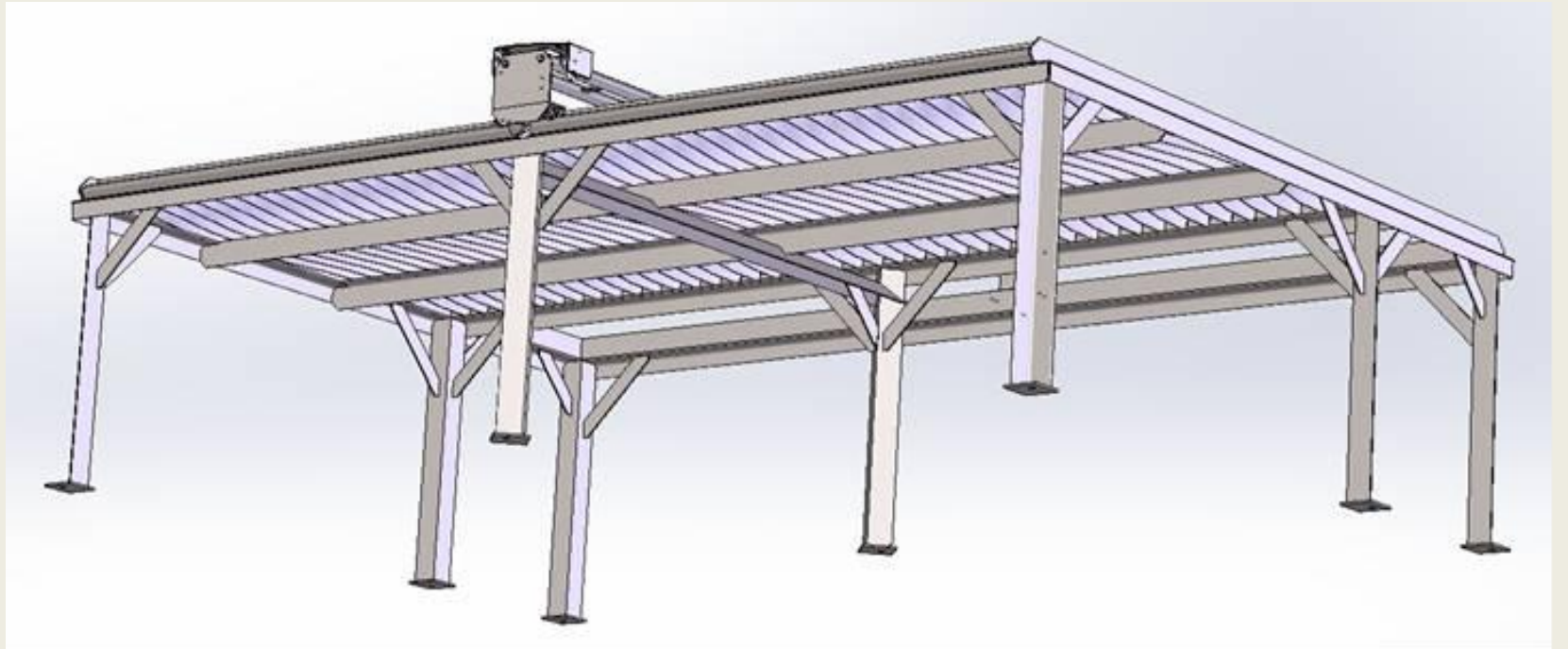


# A Shop-Built CNC Plasma Table

John Elliott

# Solidworks Model





# Raw Materials





# The Linear Bearing Concept



# Beginning the Framework







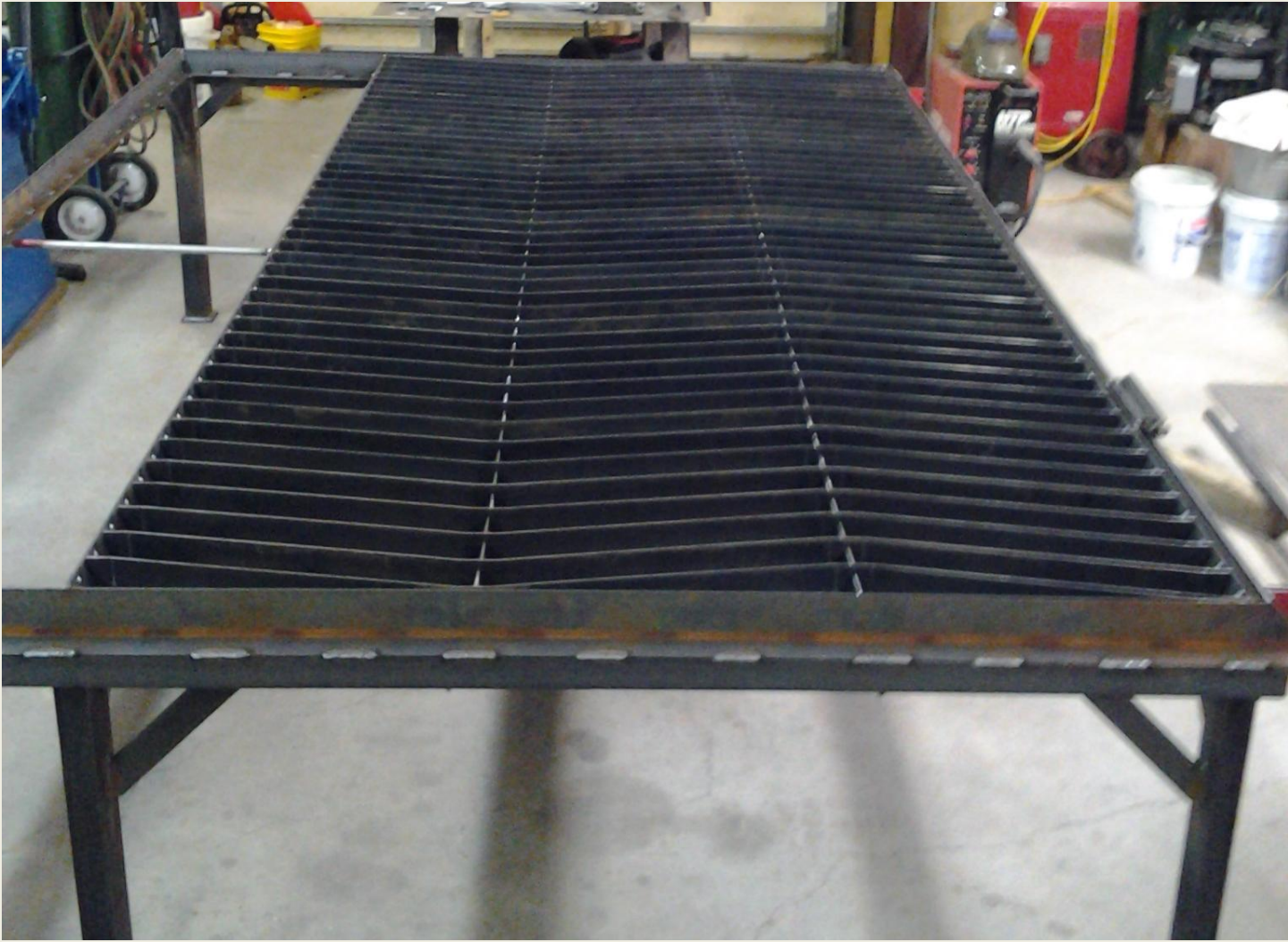
# Bending the Slats





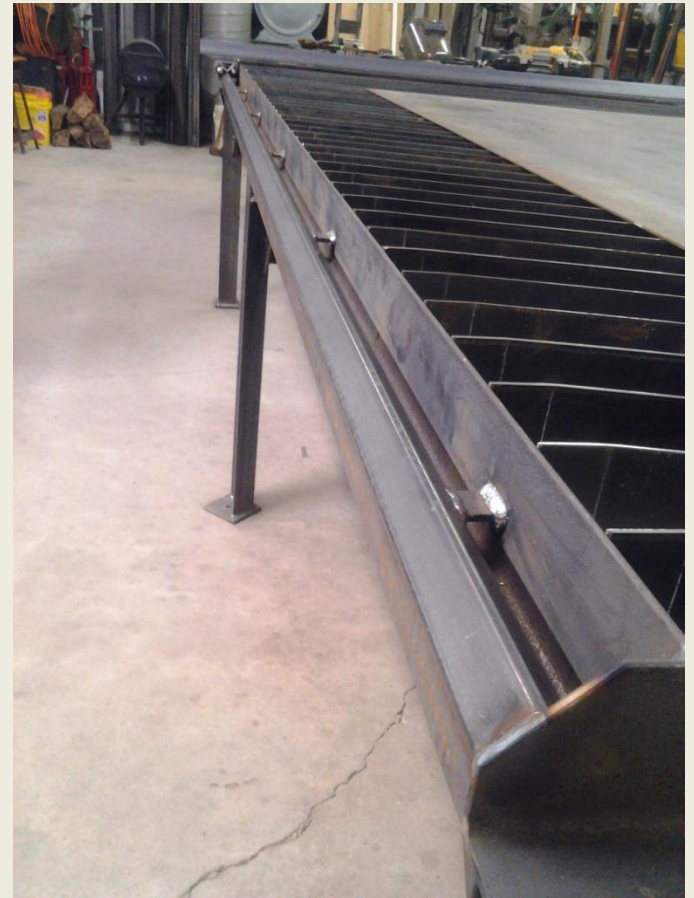
# Installing the Slats







# Rail Placement





# Trial Roll



# Next: The Drive

