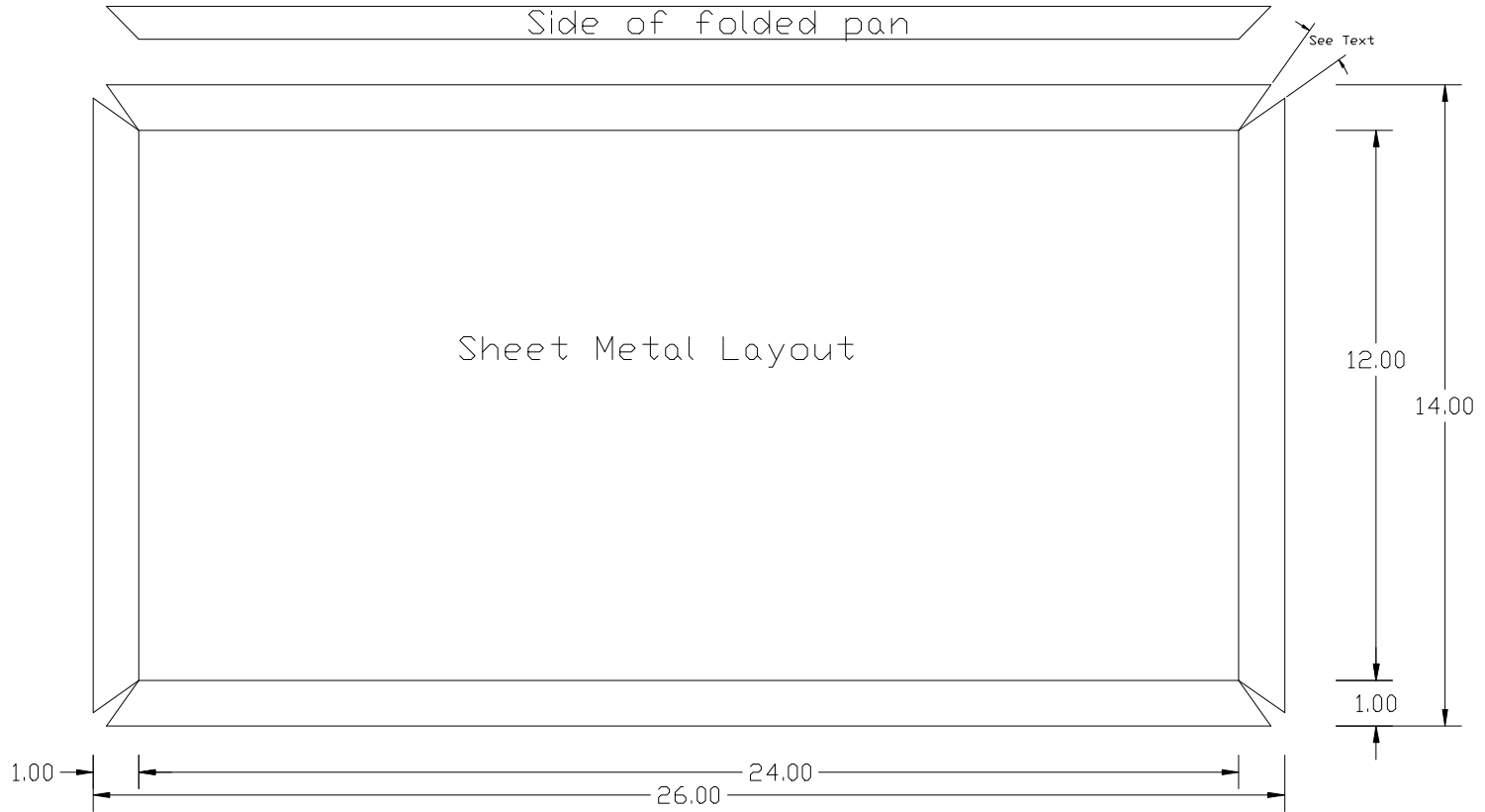
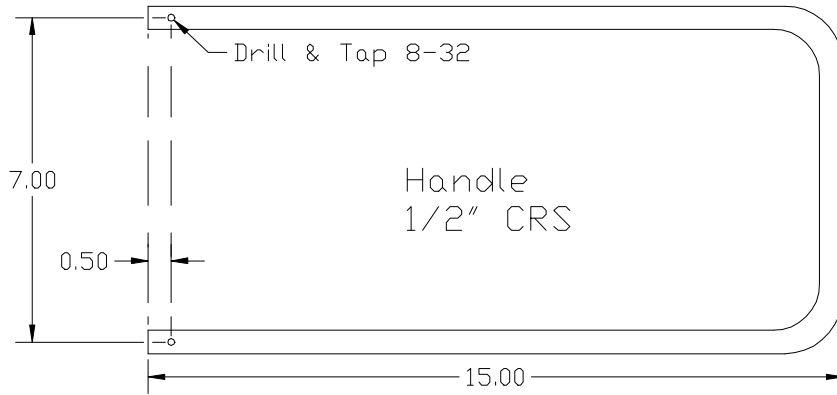
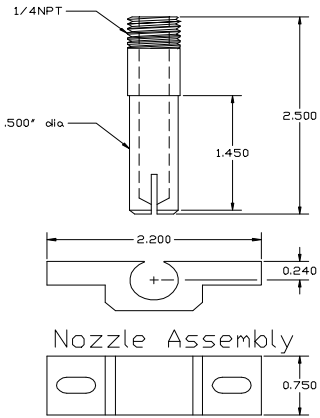
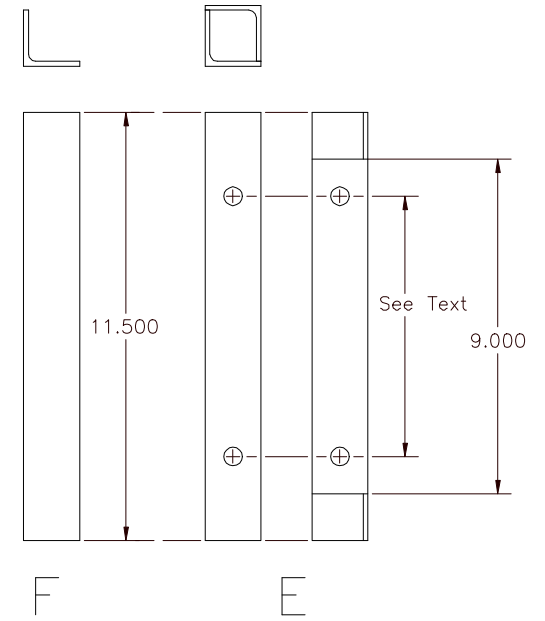
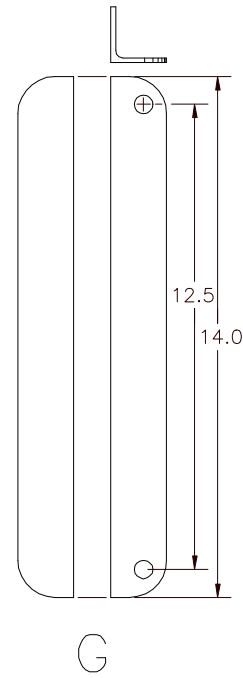
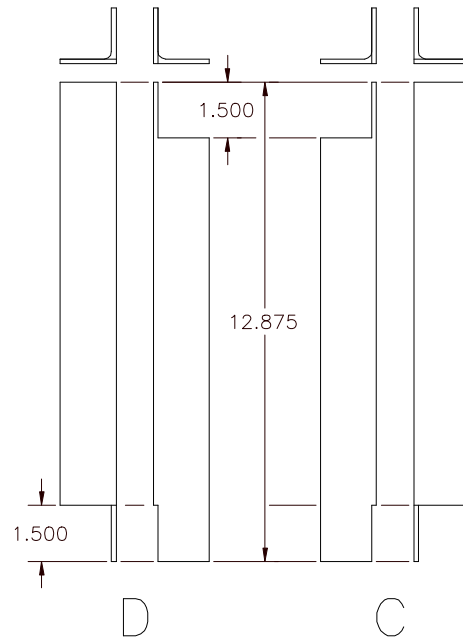
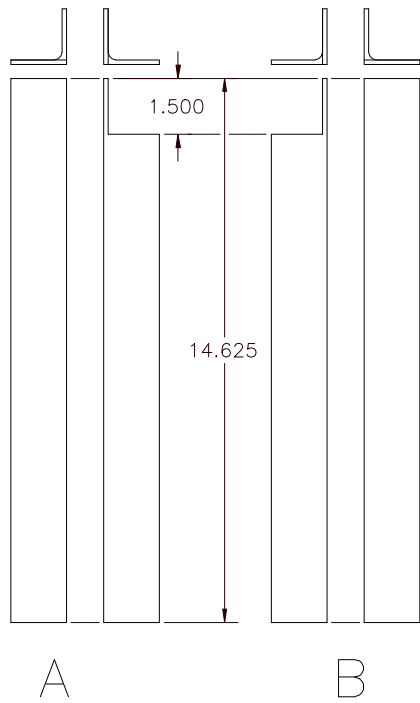
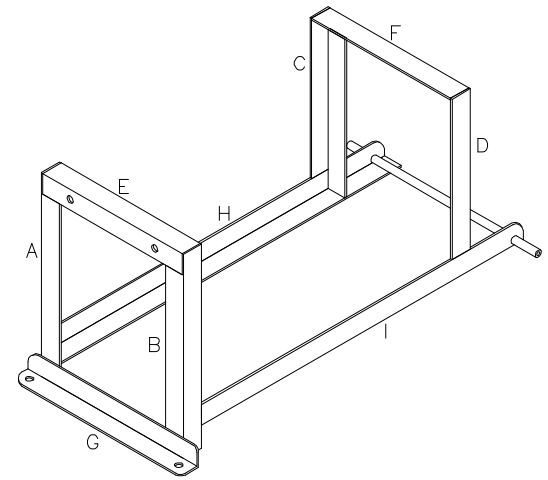
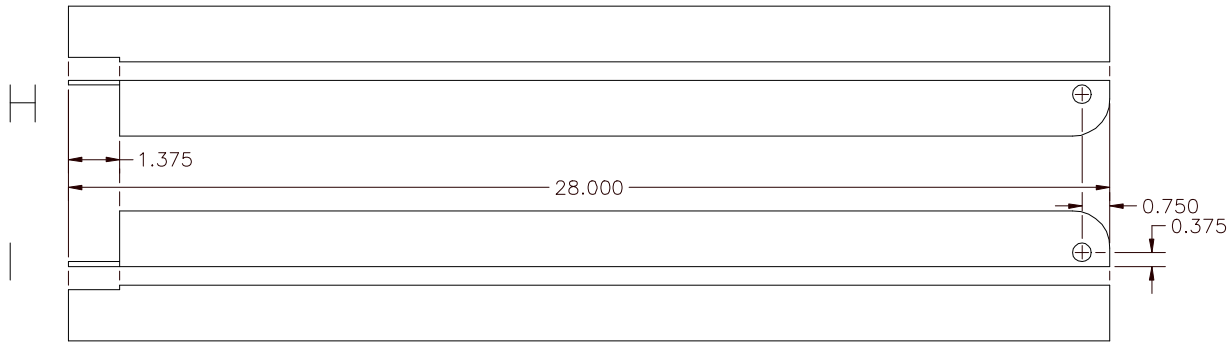


Nozzle, Handle, and Tray for Sawstand



Frame Assembly of Sawstand



All pieces cut from 1.5" x 1.5" x .125" angle